

FIG. 1

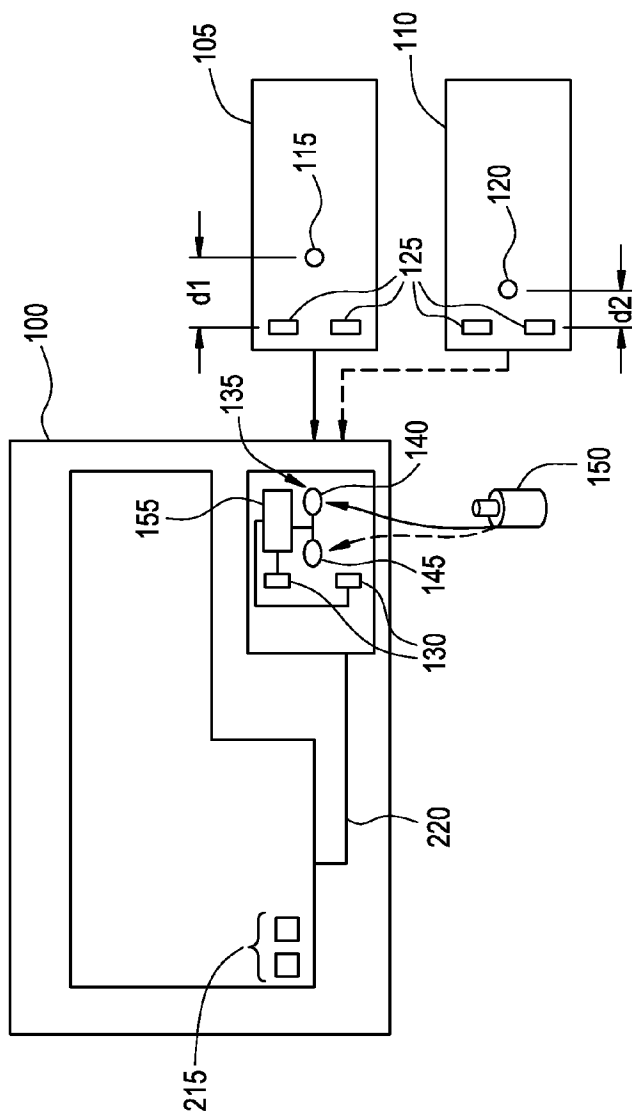


FIG. 2

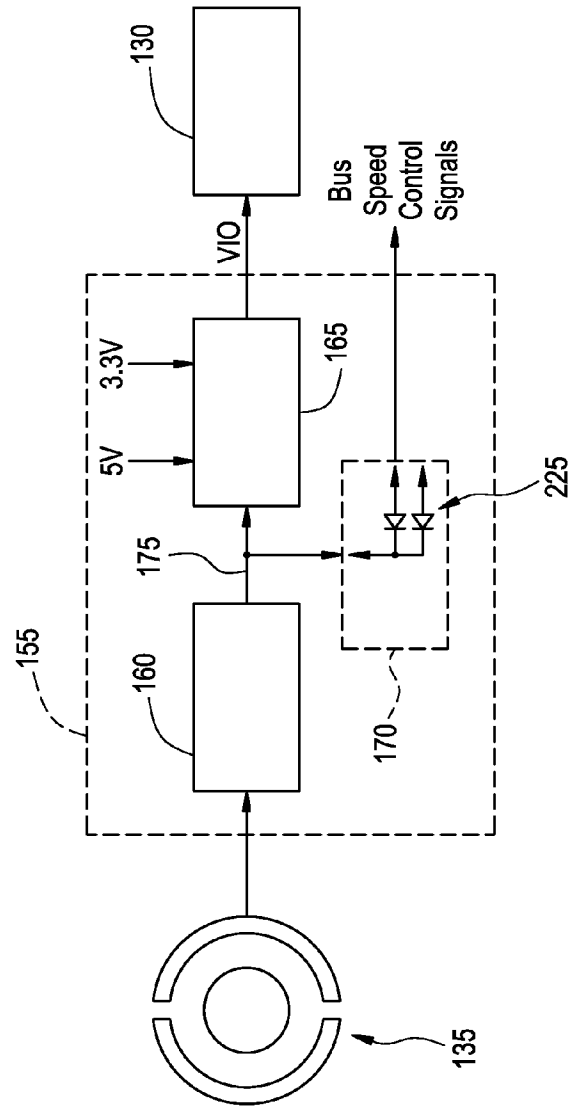


FIG. 3

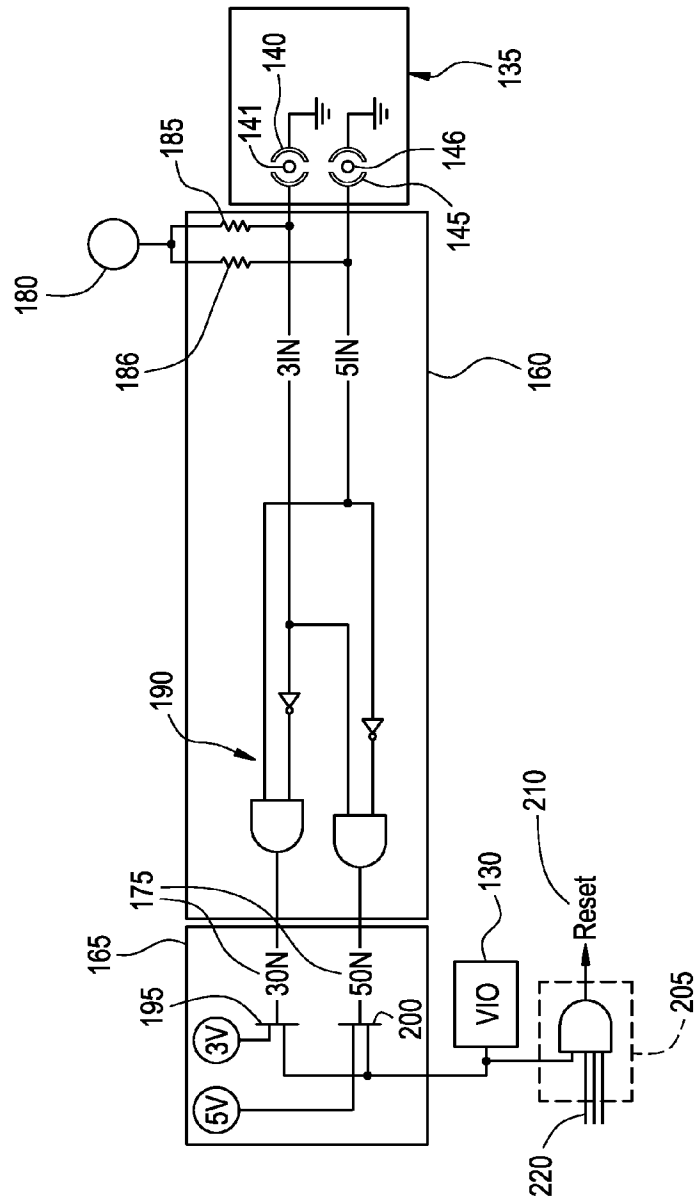


FIG. 4

<u>INPUT</u>		<u>OUTPUT</u>
3IN	5IN	30N
0	0	0
0	1	1
1	0	0
1	1	0

$$30N = 5IN \cdot (3IN)'$$

<u>INPUT</u>		<u>OUTPUT</u>
3IN	5IN	50N
0	0	0
0	1	0
1	0	1
1	1	0

$$50N = 3IN \cdot (5IN)'$$